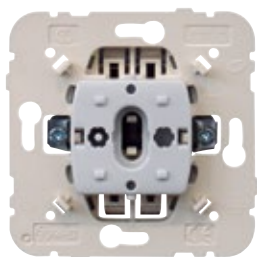


## DESCRIPTION



- Single Mechanism for Flush Mounting Devices

LOGUS<sup>90</sup> | APOLO 5000 | **sirius70**.



- The IP44 Kit for mechanisms of **single rocker** (Ref. 21981) and **double rockers** (Ref. 21982) assures the **Protection Degree IP44** to the Mechanisms of the MEC 21 Series.

## CHARACTERISTICS

- Mechanisms in technical thermoplastic - resistant material, non-conductive.

- Control Devices

- 10 A - 250 V~ - connections with screwless terminals or screw terminals. It allows the usage of rigid and flexible cable.
- In accordance with IEC/EN 60669-1 Standard, tested according to 19.3:

Relationship between rated current of the switch and rated power of the SBL circuit	
Rated current of the switch, $I_n$ [A]	Rated power of the SBL circuit [W]
$I_n \leq 10$	100
$10 < I_n \leq 13$	150
$13 < I_n \leq 16$	200
$16 < I_n \leq 20$	250

SBL - Self Ballasted Lamp (CFL or LED)

- Energy Sockets

- Earth Socket (Schuko and French types):

- 16 A - 250 V~.
- Connections with screw terminals or screwless terminals.
- In accordance with IEC 60884-1; DIN VDE 0620-1 (Schuko) and NF C 61-314 (French) Standards.

- Earth Socket (British Type):

- 13 A - 250 V~.
- With and without Pilot Lamp.
- In accordance with the BS 1363-2 Standard.

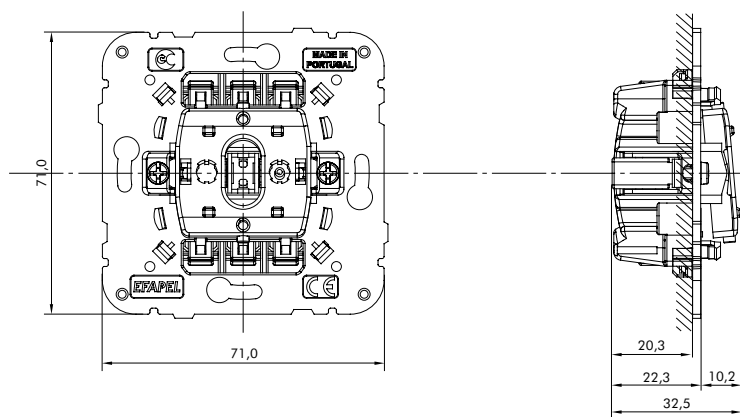
- Earth Socket (Euro-USA Type):

- 15 A - 127 V~/16 A - 250 V~.
- In accordance with ANSI; NEMA WD-6 (Figure 5-15) and IEC 60884-1 Standards.

- Earth Socket (USA NEMA Type):

- 15 A - 127 V~.
- In accordance with SASO 2204; NEMA WD-6 (Figure 5-15) Standard.

## DIMENSIONS (mm)



# KIT IP44

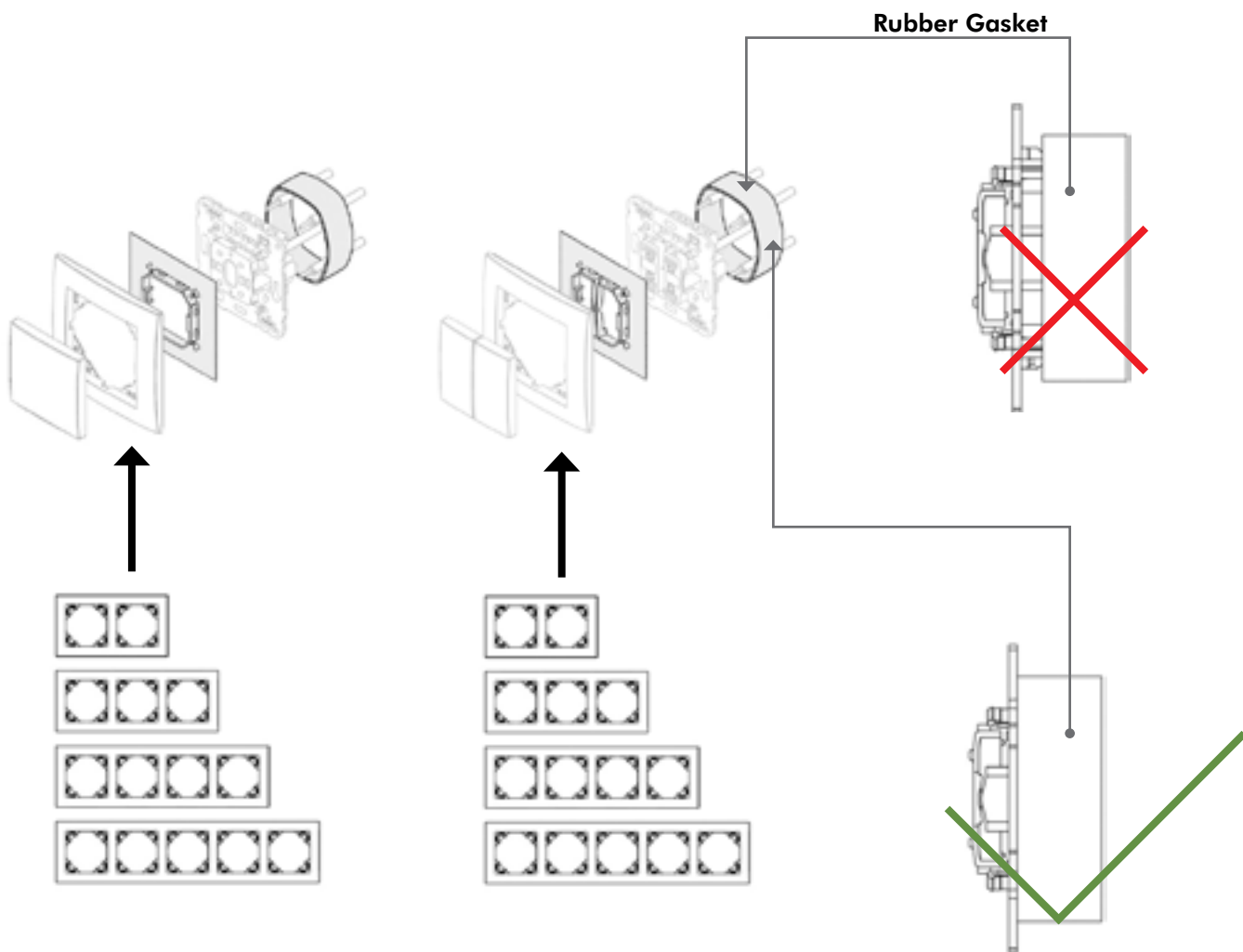
LOGUS<sup>90</sup>

APOLO 5000

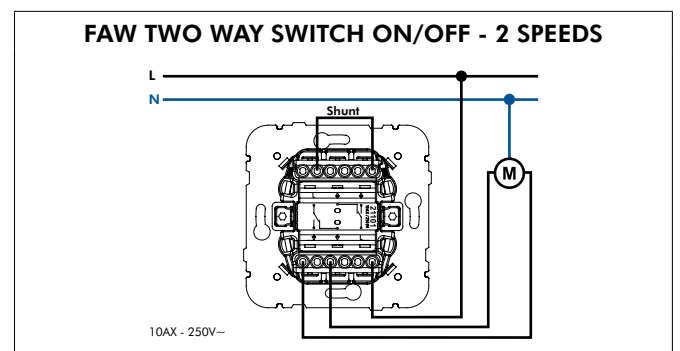
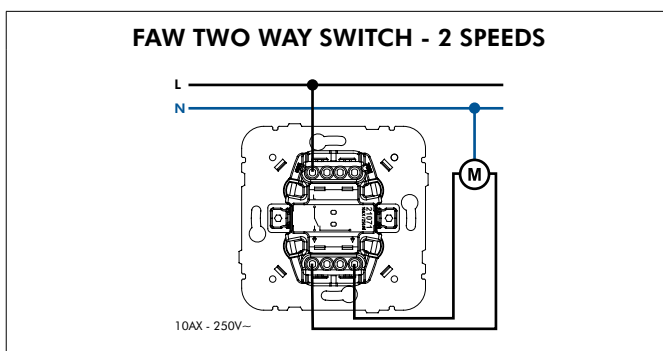
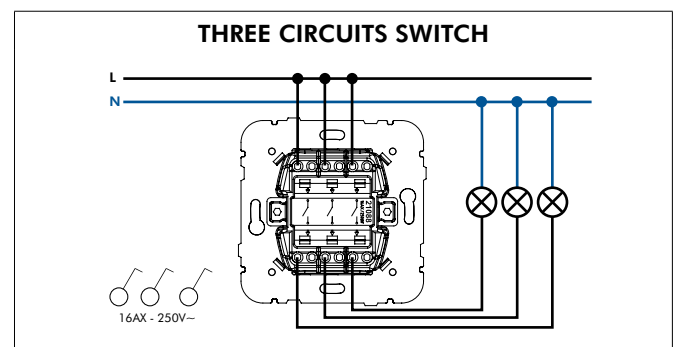
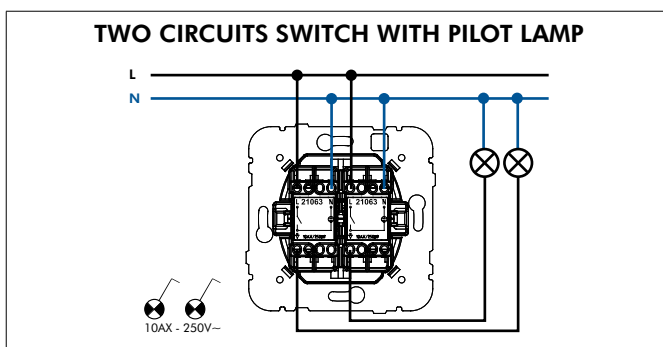
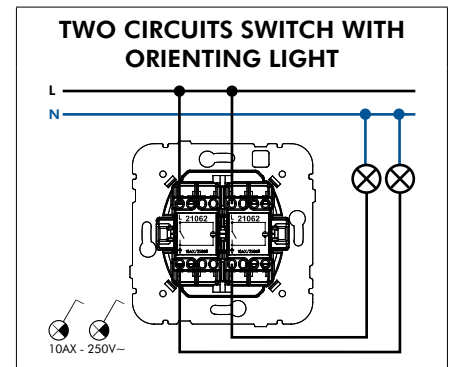
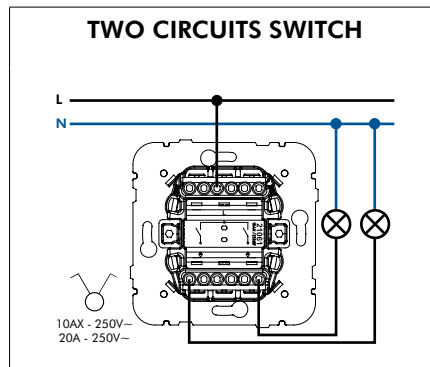
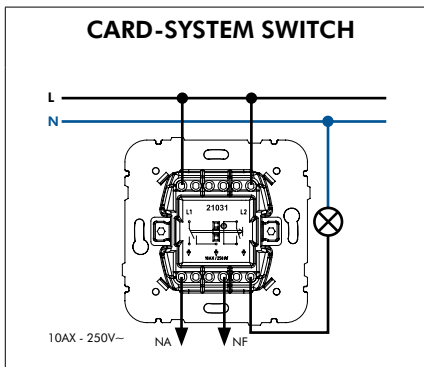
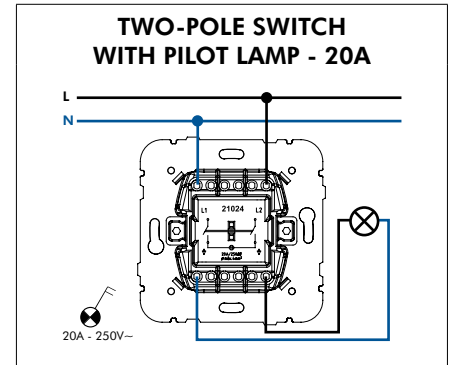
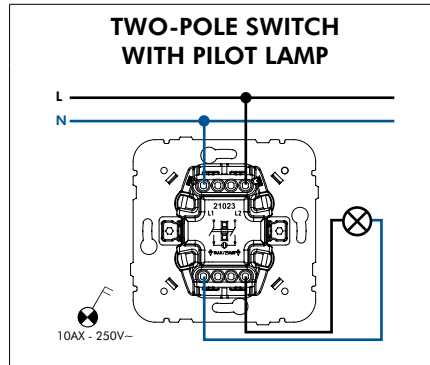
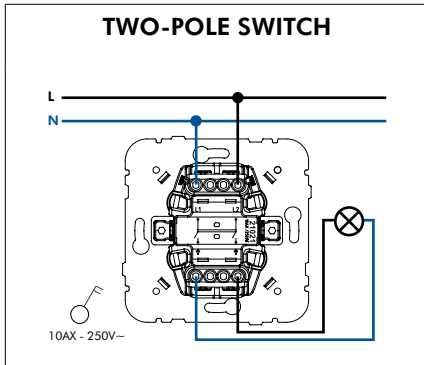
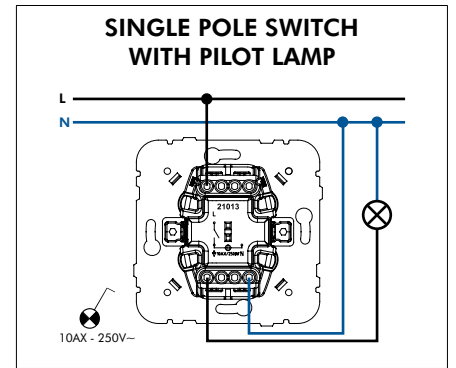
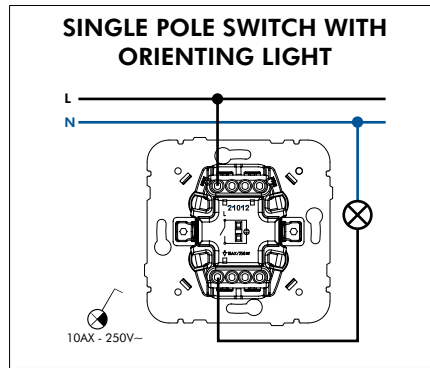
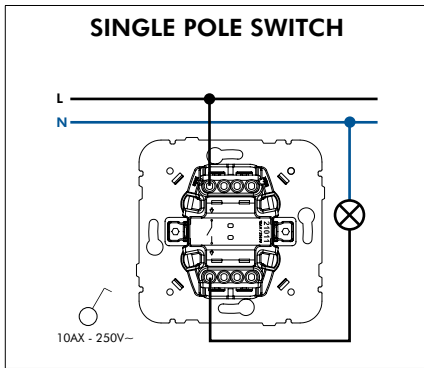
**sirius70**

**Single Rockers**  
(Ref. 21981)

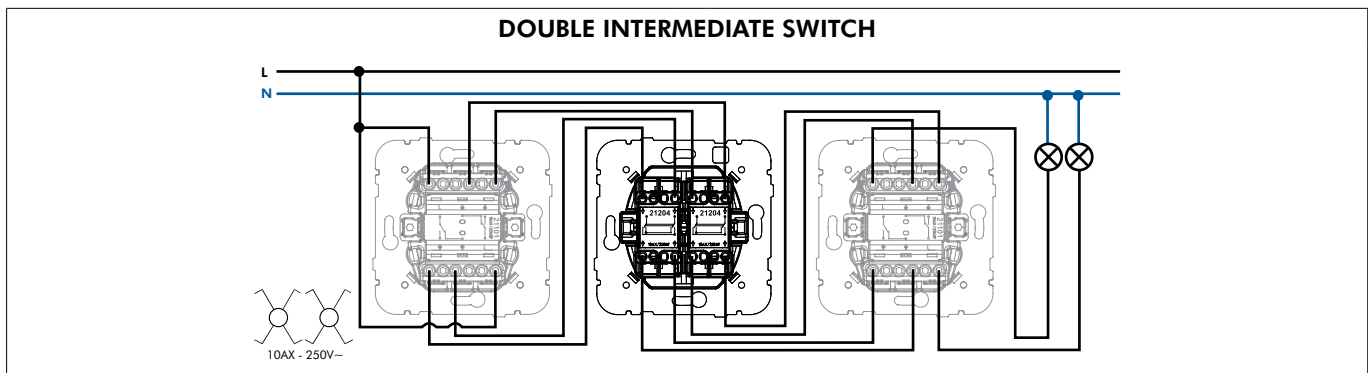
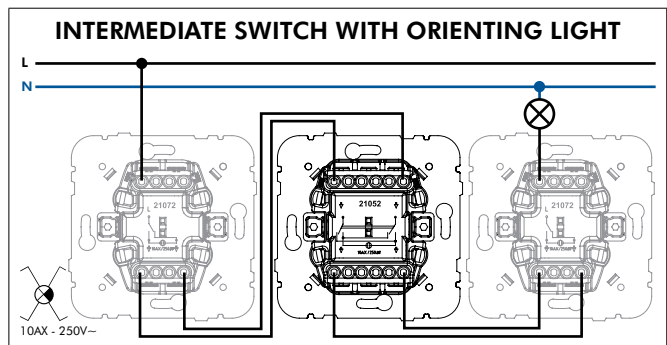
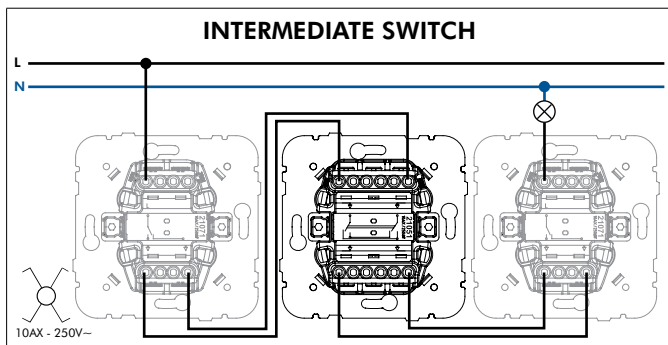
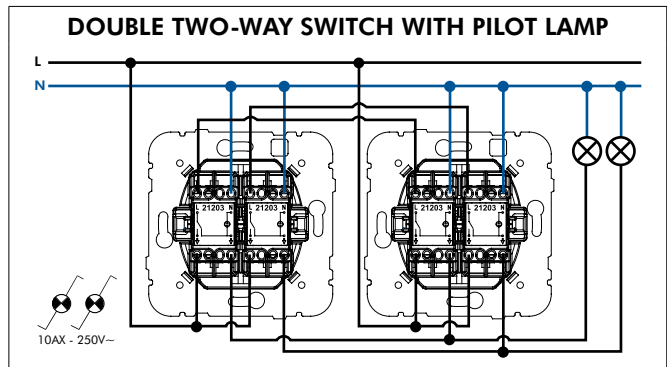
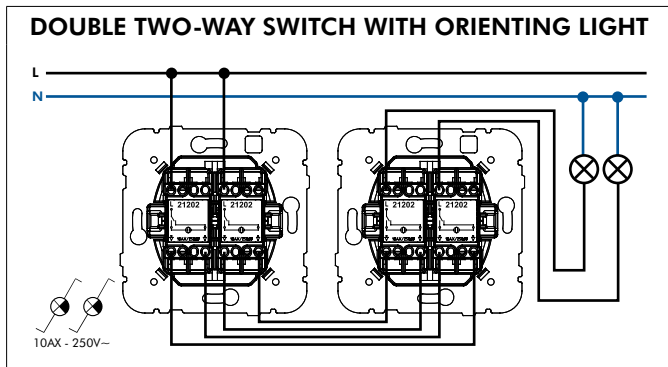
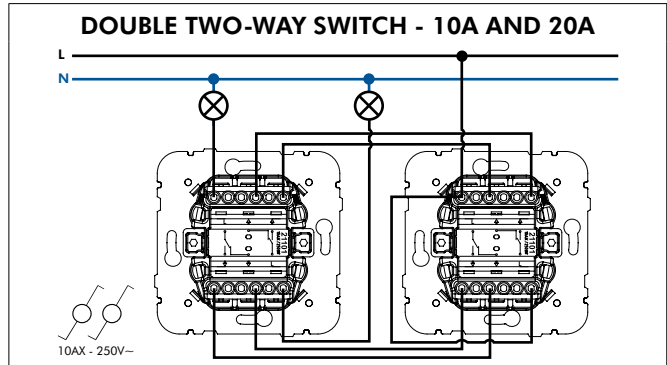
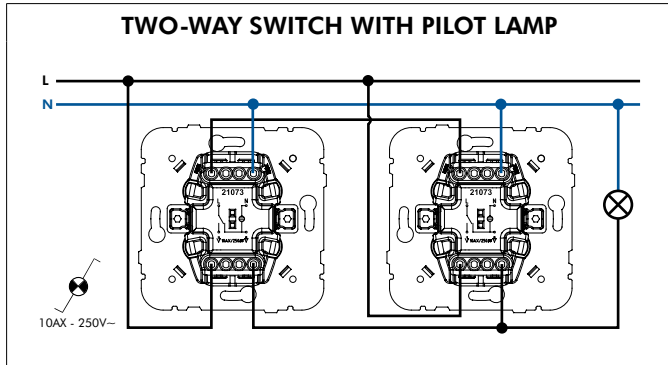
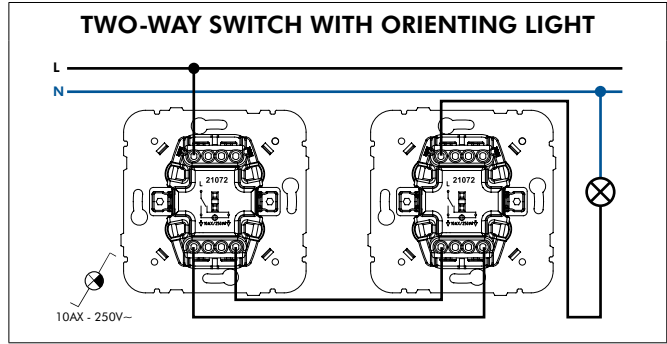
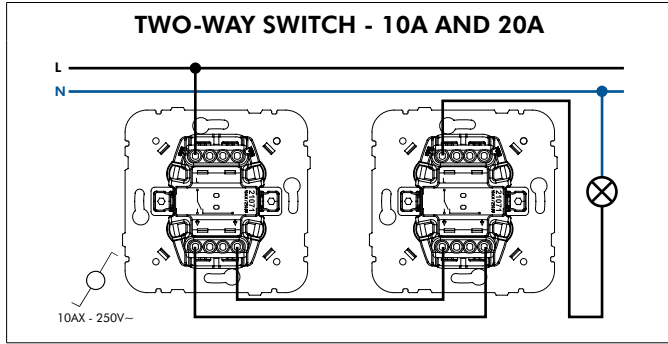
**Double Rockers**  
(Ref. 21982)

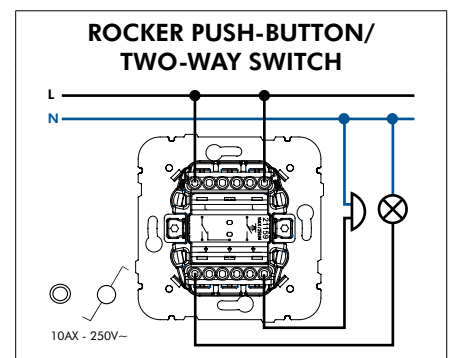
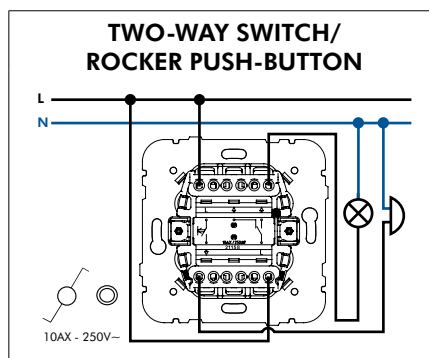
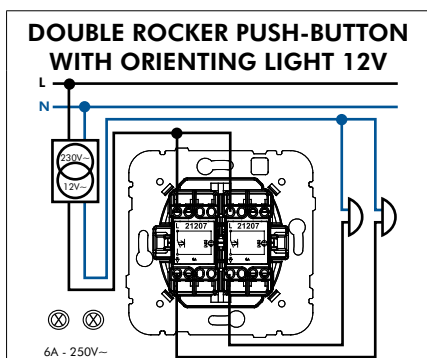
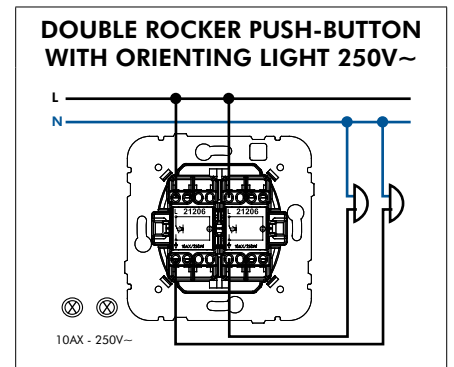
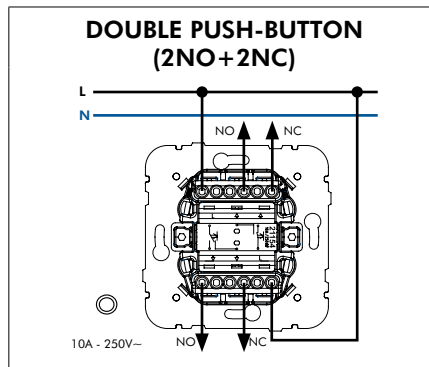
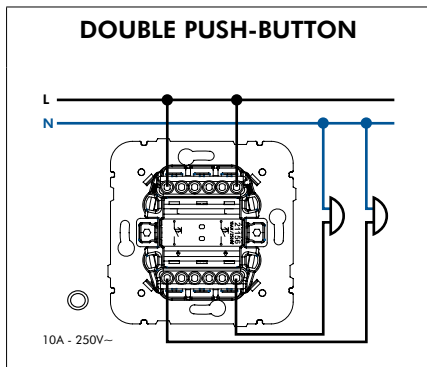
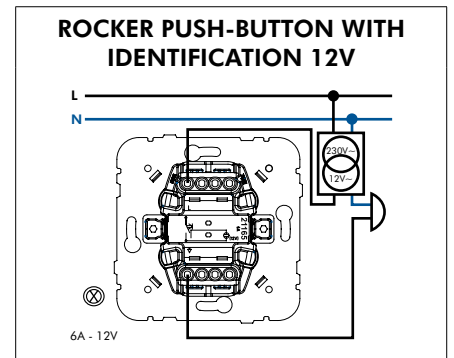
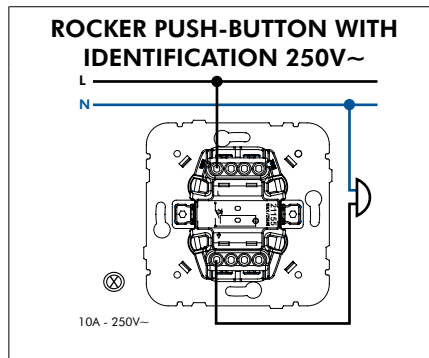
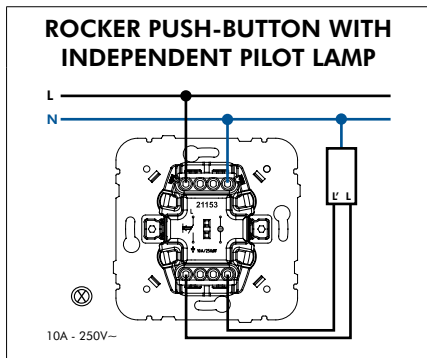
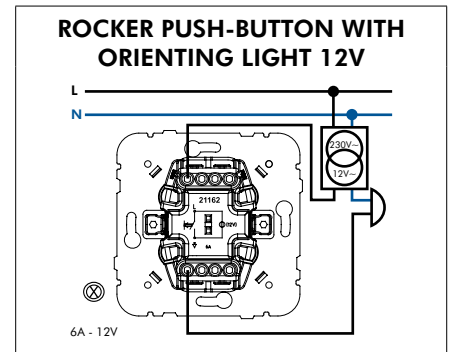
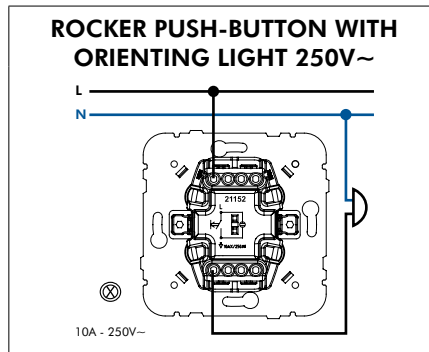
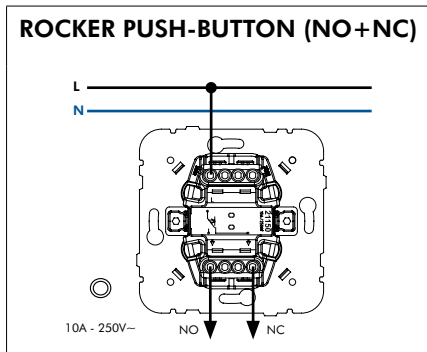
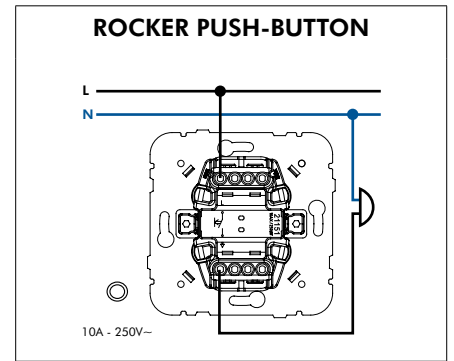
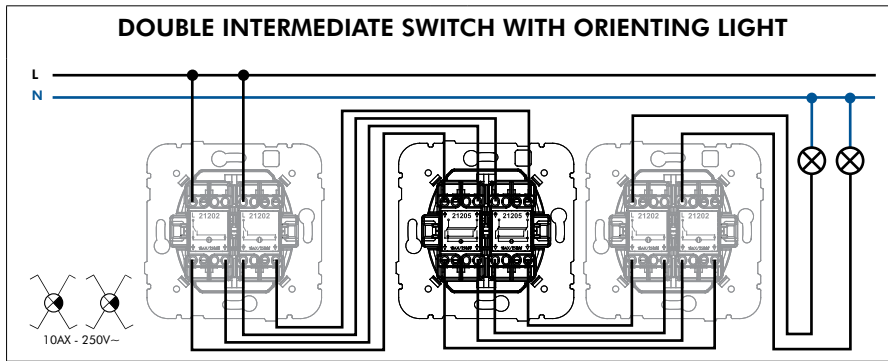


MEC 21 - WIRING DIAGRAMS



MEC 21 - WIRING DIAGRAMS





MEC 21 - WIRING DIAGRAMS

