

DESCRIPTION

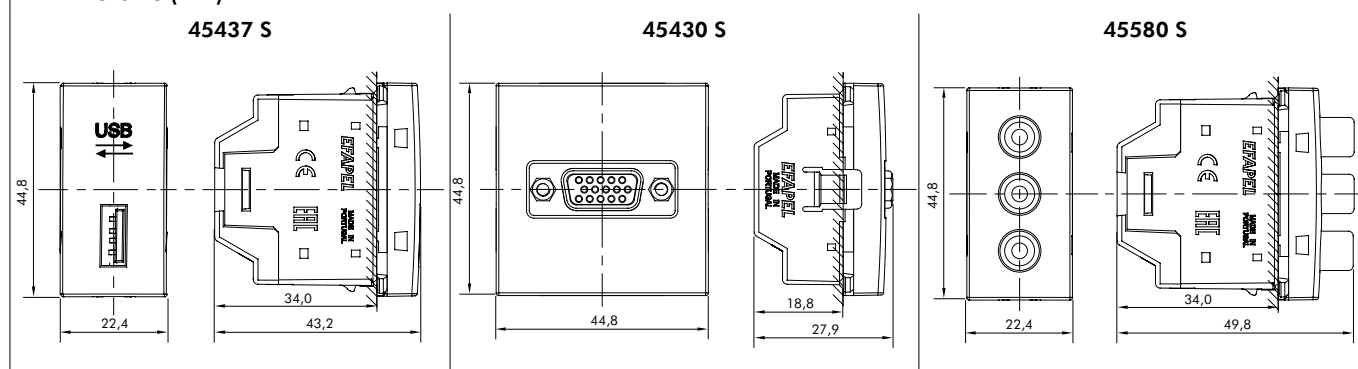


- 45437 S - USB Data Socket – 1 Module. Enables data passage through USB connection.
- 45430 S - Female HD15 Socket - 2 Modules. Enables the passage of video through a VGA connector between any transmitter (computer, DVD, ...) with a VGA connection and a terminal (TV, LCD, Videoprojetor, ...).
- 45580 S - Female RCA Socket 3 Outputs - 1 Module. Enables the passage of video through a RCA connector between any transmitter (computer, DVD,...) with a RCA connection and a terminal (TV, LCD, Video projector,...).
- Semi-assembled devices - **QUADRO 45**:
– Finishings - **QUADRO 45** | **QUADRO 45** - *Siza Vieira*.
- MEC 21 Mechanisms:
– Compatible with finishes - **LOGUS⁹⁰** | **APOLO 5000** | **sirius70**, with the adapter for each of the series (XX881 T).
- Available in colors **BR** - White, **MF** - Ivory, **AT** - Anthracite, **GE** - Ice, **PE** - Pearl, **AL** - Aluminium, **IS** - Gray, **BM** - White Matt; **PM** - Black Matt, **DU** - Golden, **CH** - Champagne, **PR** - Silver, **GR** - Graphite, **PL** - Platinum.

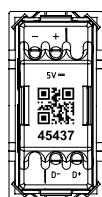
CHARACTERISTICS

	45437 S	45430 S	45580 S
Mechanisms in technical thermoplastic - resistant material, non-conductive.			
Connection	Screw	Screw	Screw
Distance between sockets	5 meters	15 meters	20 meters
Maximum speed	12 Mbit/s	not apply	not apply

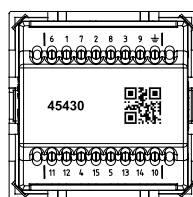
DIMENSIONS (mm)



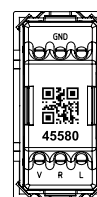
WIRING DIAGRAMS



Pino	
+	VBUS 5VDC
-	GROUND
D+	DATA +
D-	DATA -



Pino	
1	RED COAX
2	GREEN COAX
3	BLUE COAX
4	ORANGE (ID BIT 2 - NC)
5	RED (GND)
6	RED BRAID
7	GREEN BRAID
8	BLUE BRAID
9	WHITE (KEY)
10	BLUE (GND)
11	BROWN (ID BIT 0 - GND)
12	YELLOW (ID BIT 1 - SDA)
13	GREY (HORIZONTAL SYNCHRONIZATION)
14	GREEN (VERTICAL SYNCHRONIZATION)
15	BLACK (ID BIT 3 - SCL)
16	SHIELD (GROUND)



Pino	
V	VIDEO CABLE
R	RIGHT AUDIO SIGNALS
L	LEFT AUDIO SIGNALS
GND	GROUND

